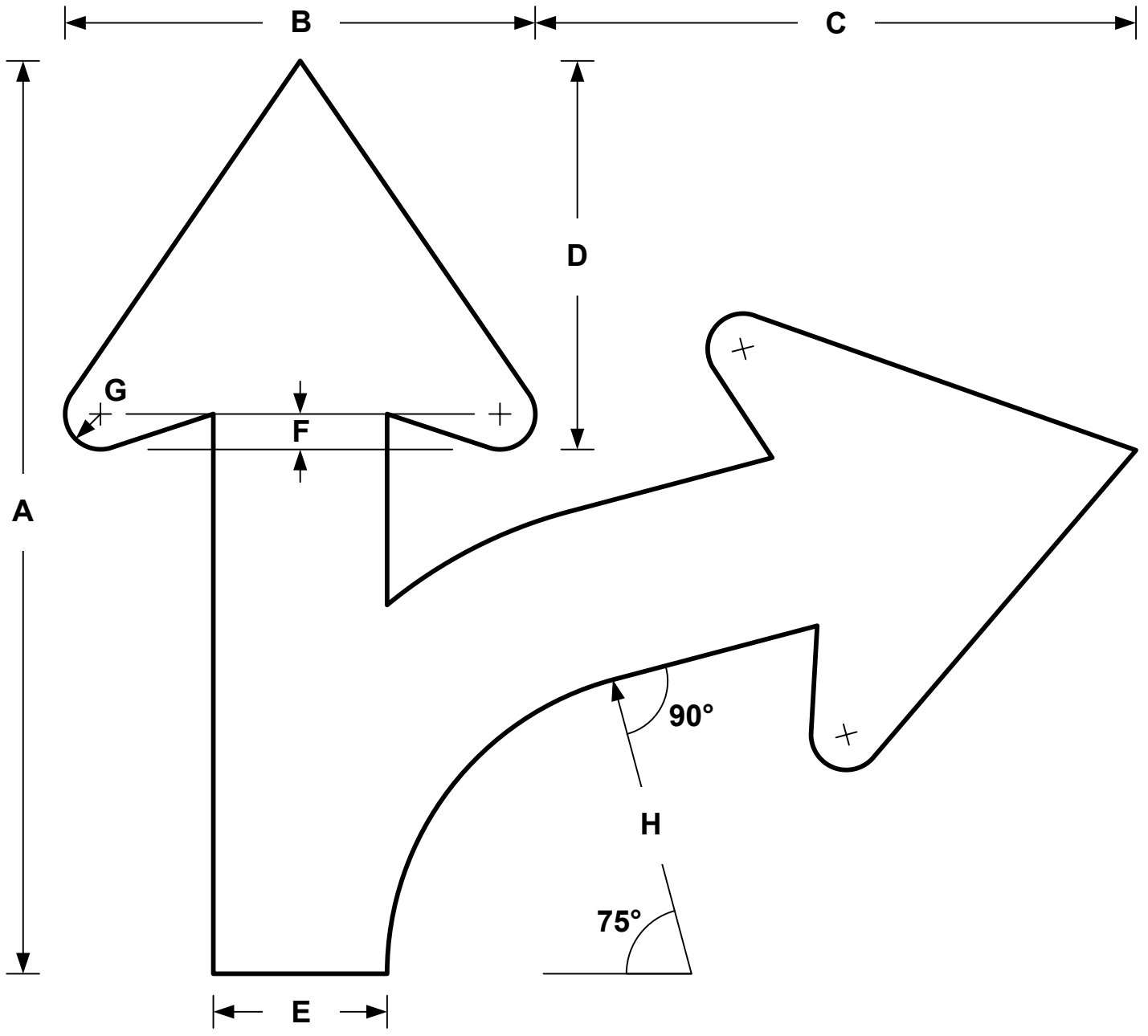


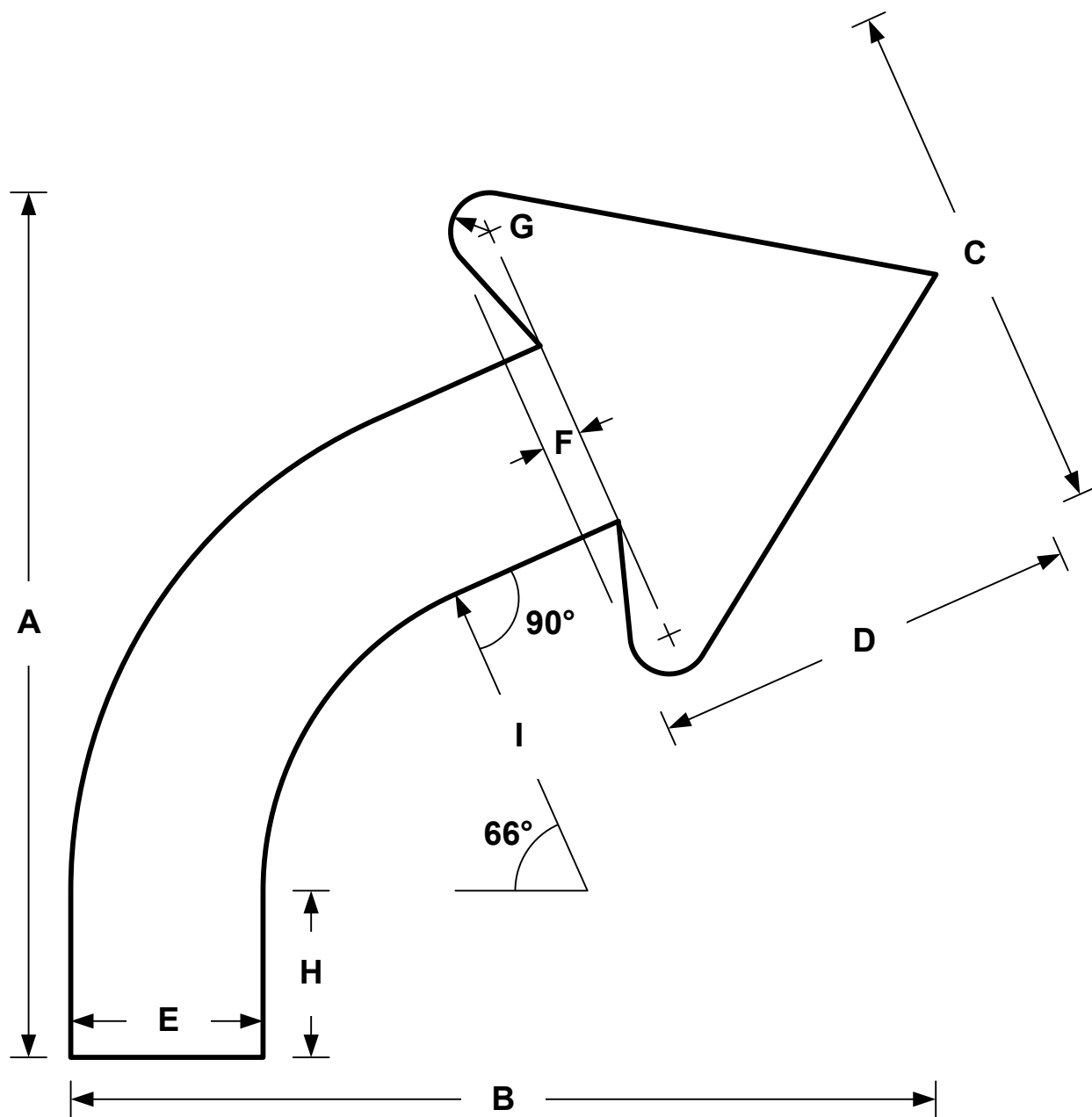
A	B	C	D	E	F
42	21.625	17.875	8	1.625	1.625

Arrow-per-Lane – THROUGH LANE ARROW  
(California/Caltrans)



A	B	C	D	E	F	G	H
42	21.625	27.625	17.875	8	1.625	1.625	14

Arrow-per-Lane – OPTION LANE ARROW  
(California/Caltrans)



A	B	C	D	E	F	G	H	I
36	36.75	21.625	17.875	8	1.625	1.625	6.625	13.5

Arrow-per-Lane – EXIT LANE ARROW  
(California/Caltrans)